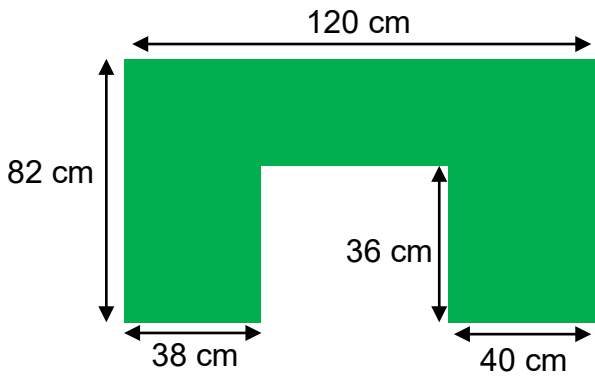




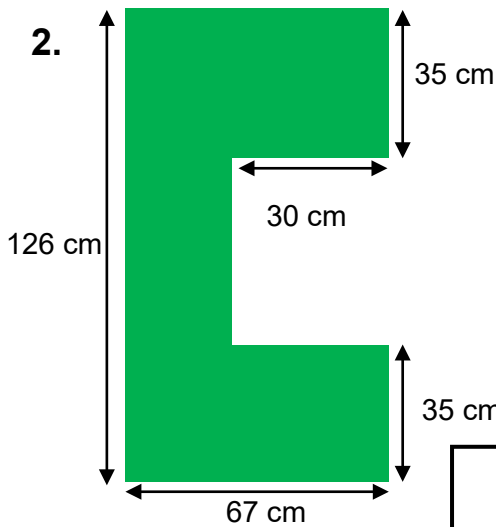
Remember, the perimeter is the distance all the way round the outside of a two dimensional shape. You will have to work out some missing lengths to find the perimeter of these shapes.

1. Calculate the perimeter of these shapes?

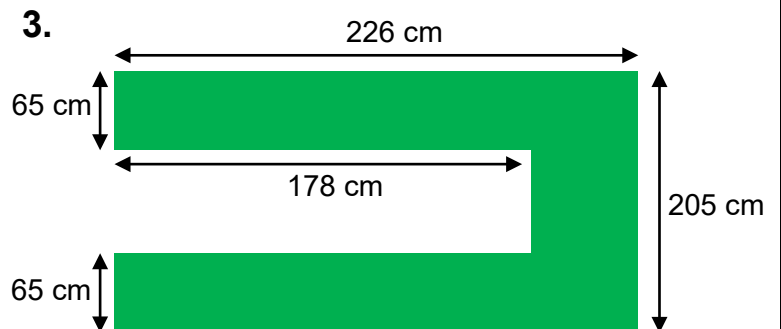


Not to scale.

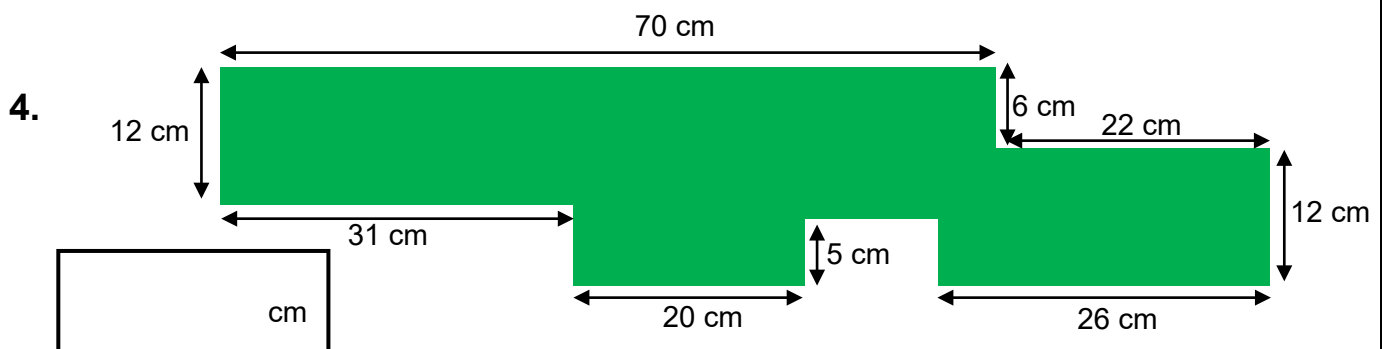
cm



cm



cm

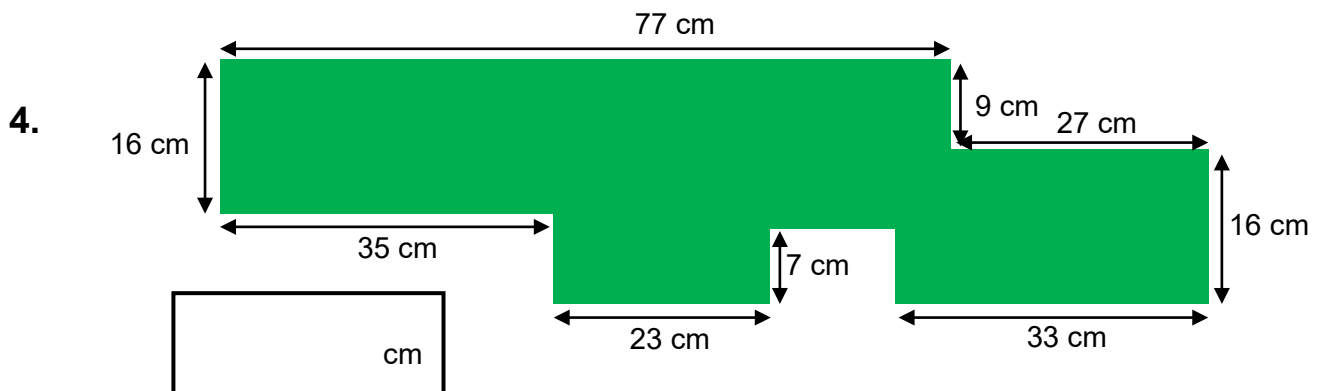
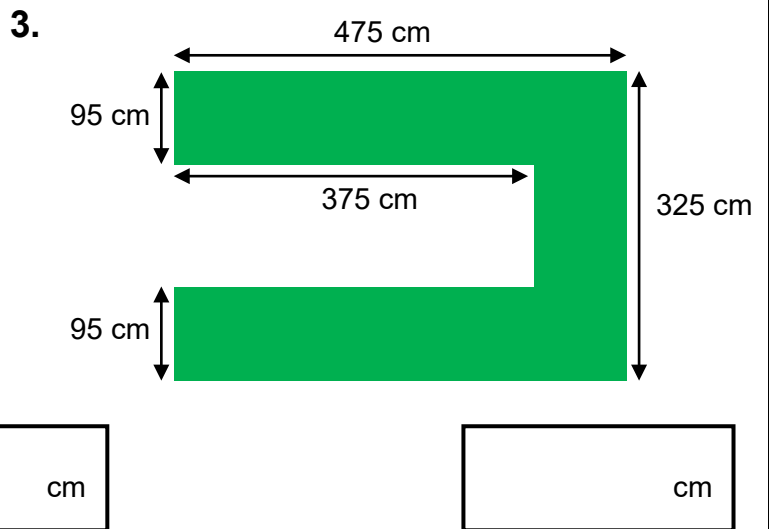
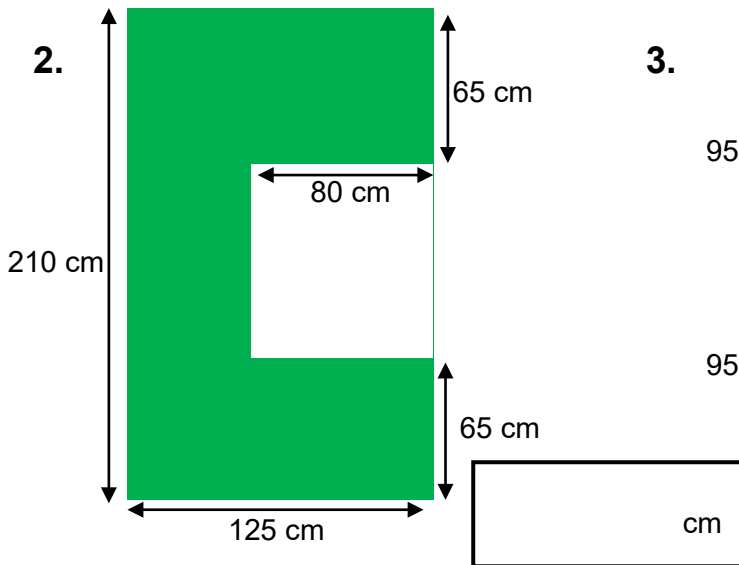
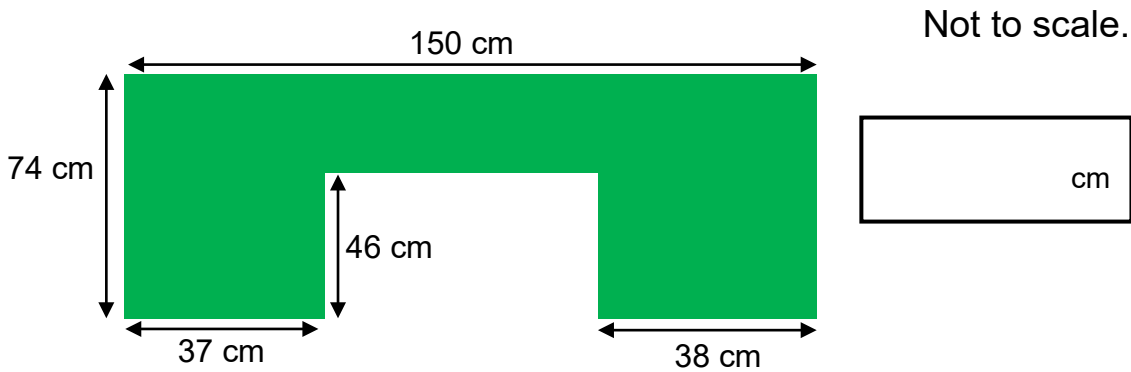


cm



Remember, the perimeter is the distance all the way round the outside of a two dimensional shape. You will have to work out some missing lengths to find the perimeter of these shapes.

1. Calculate the perimeter of these shapes?





Answers

Page 1

1. 476 cm 2. 446 cm 3. 1218 cm 4. 230 cm

Page 2

1. 540 cm 2. 830 cm 3. 2350 cm 4. 272 cm