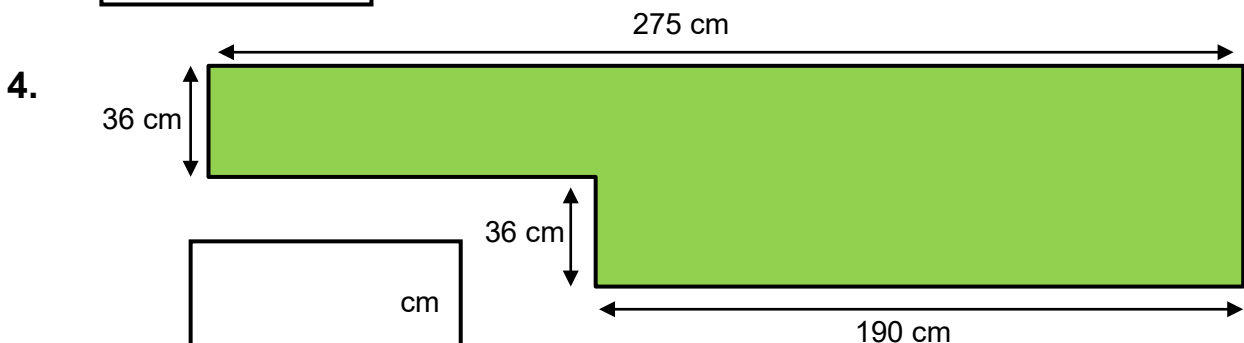
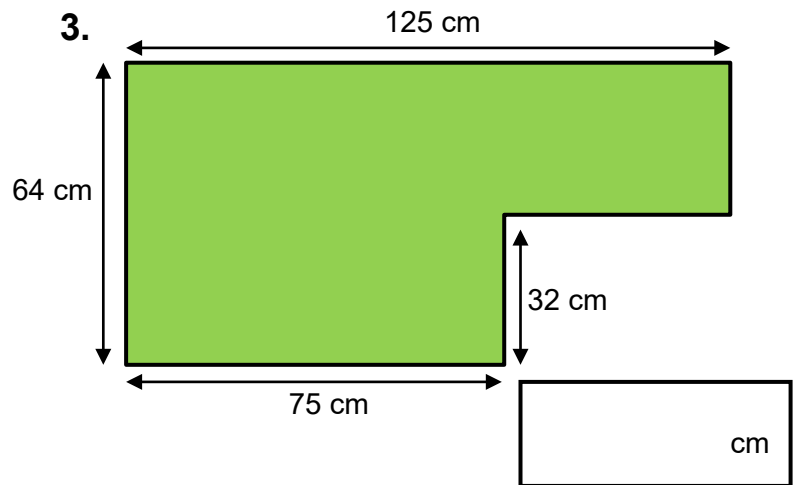
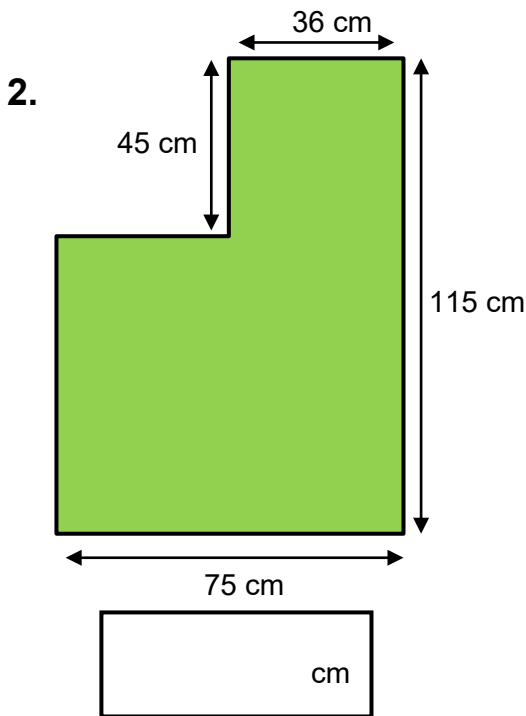
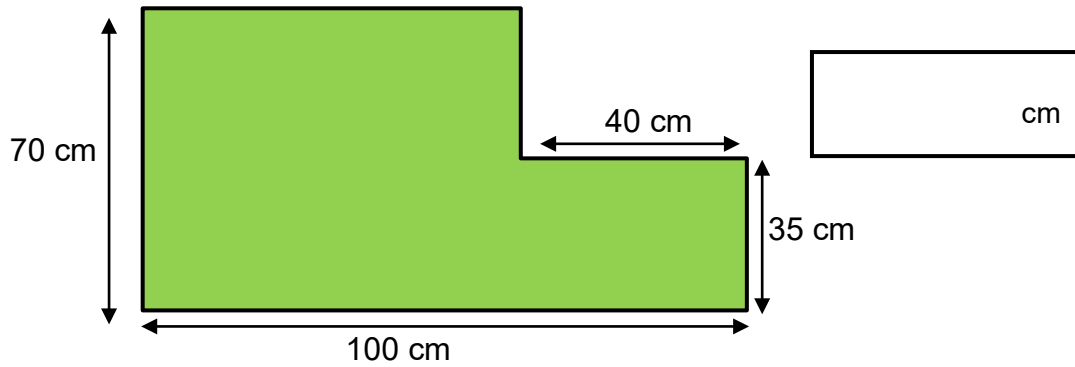




Remember, the perimeter is the distance all the way round the outside of a two dimensional shape. You may need to work out some missing lengths to find the perimeter.

1. Calculate the perimeter of these shapes?

Not to scale.



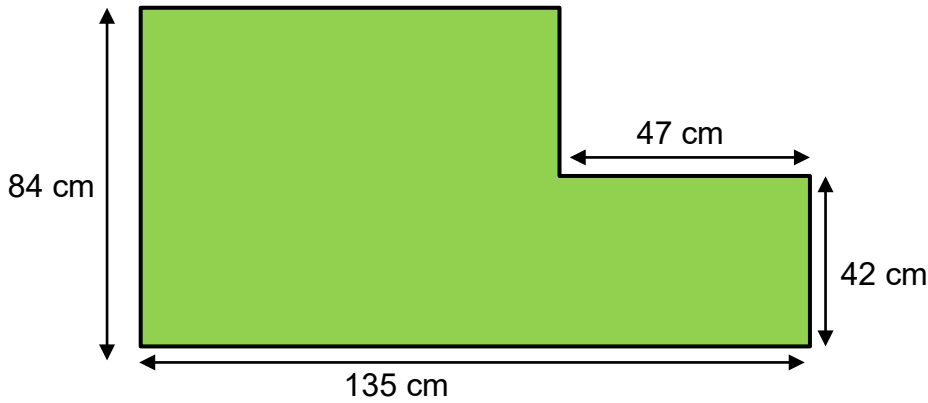
Name:



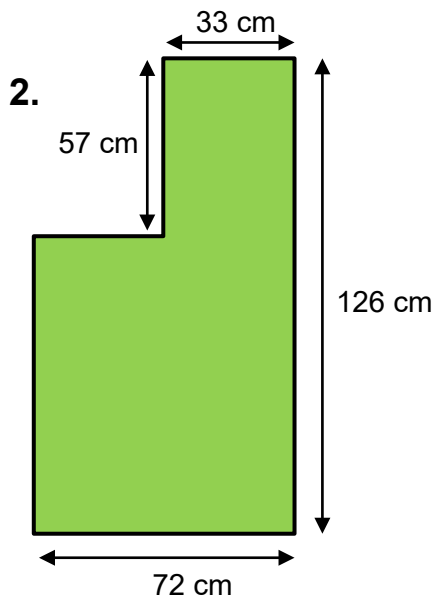
Remember, the perimeter is the distance all the way round the outside of a two dimensional shape. You may need to work out some missing lengths to find the perimeter.

1. Calculate the perimeter of these shapes?

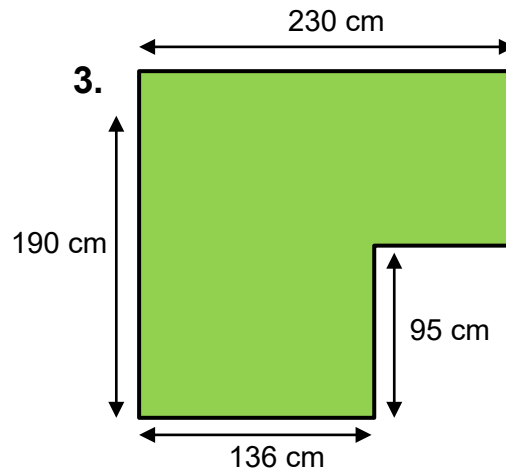
Not to scale.



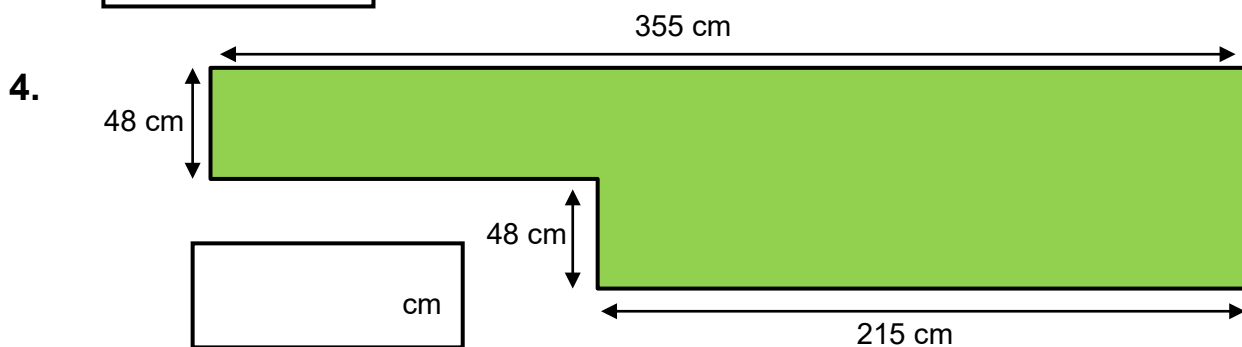
cm



cm



cm



cm

Name:



Answers

Page 1

1. 340 cm 2. 380 cm 3. 378 cm 4. 694 cm

Page 2

1. 438 cm 2. 396 cm 3. 840 cm 4. 902 cm